

SPEAKER SYSTEM

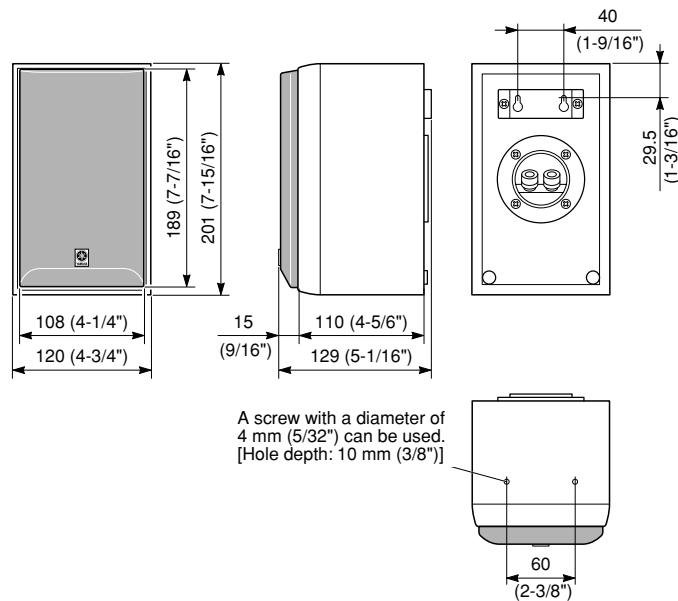
NS-P8900 (=NS-E8900/NS-C8900)

SERVICE MANUAL

The NS-P8900 consists of 2 units of the NS-E8900 and 1 unit of the NS-C8900.

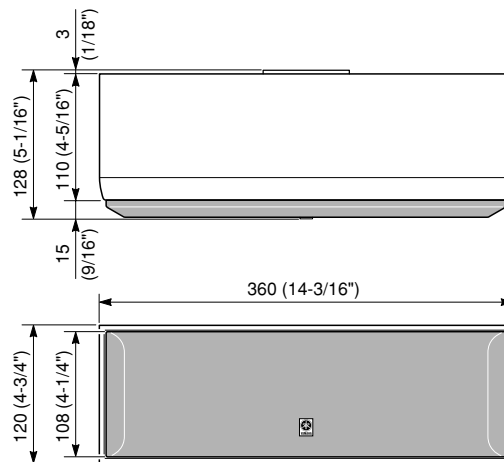
■ DIMENSIONS

NS-E8900



Unit: mm (inch)

NS-C8900



Unit: mm (inch)



このサービスマニュアルは、エコマーク認定の再生紙を使用しています。
This Service Manual uses recycled paper.

101010

© 2006 YAMAHA CORPORATION. All rights reserved.
This manual is copyrighted by YAMAHA and may not be copied or
redistributed either in print or electronically without permission.



YAMAHA

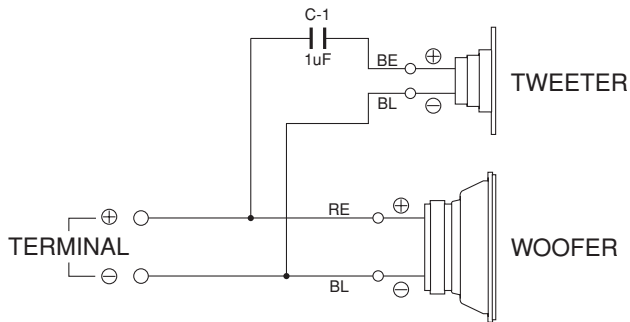
YAMAHA CORPORATION
P.O.Box 1, Hamamatsu, Japan

'06.04

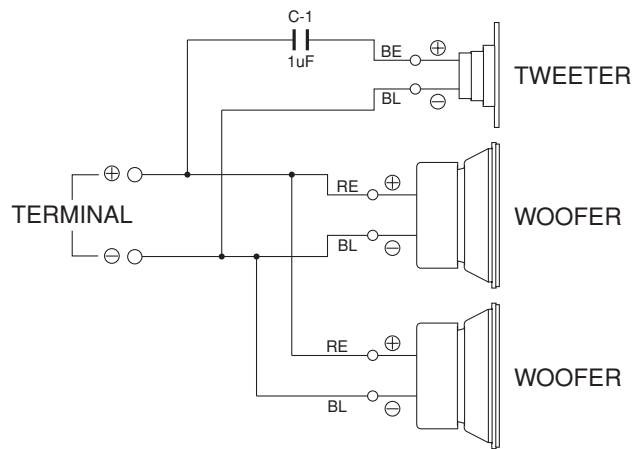
NS-P8900

■ NETWORK CIRCUIT DIAGRAMS

NS-E8900



NS-C8900



■ SPECIFICATIONS

■ NS-E8900

Type 2-way 2-speaker acoustic suspension speaker system
Magnetic shielding type

Driver 8 cm (3-1/8") cone woofer x 1
2.5 cm (1") balanced dome tweeter x 1

Frequency Response (-10 dB) 75 Hz to 20 kHz

Impedance 6 ohms

Nominal Input Power 20 W

Maximum Input Power 100 W

Sensitivity 85 dB/2.83 V/m

Crossover Frequency 12 kHz

Input Terminal Screw / Banana type

Dimensions (W X H X D) 120 x 201 x 129 mm
(4-3/4" x 7-15/16" x 5-1/16")

Weight 1.5 kg (3 lbs. 5 oz)

Finish
Walnut PVC T, G models
Cherry PVC T, G models

Accessories Speaker cable (10 m) x 2

■ NS-C8900

Type 2-way 3-speaker acoustic suspension speaker system
Magnetic shielding type

Driver 8 cm (3-1/8") cone woofer x 2
2.5 cm (1") balanced dome tweeter x 1

Frequency Response (-10 dB) 95 Hz to 20 kHz

Impedance 6 ohms

Nominal Input Power 30 W

Maximum Input Power 125 W

Sensitivity 89 dB/2.83 V/m

Crossover Frequency 12 kHz

Input Terminal Screw / Banana type

Dimensions (W X H X D) 360 x 120 x 128 mm
(14-3/16" x 4-3/4" x 5-1/16")

Weight 2.5 kg (5 lbs. 8 oz)

Finish
Walnut PVC T, G models
Cherry PVC T, G models

Accessories Speaker cable (4 m) x 1
Fastener x 2

* Specifications are subject to change without notice due to product improvements.

T Chinese model G European model

1

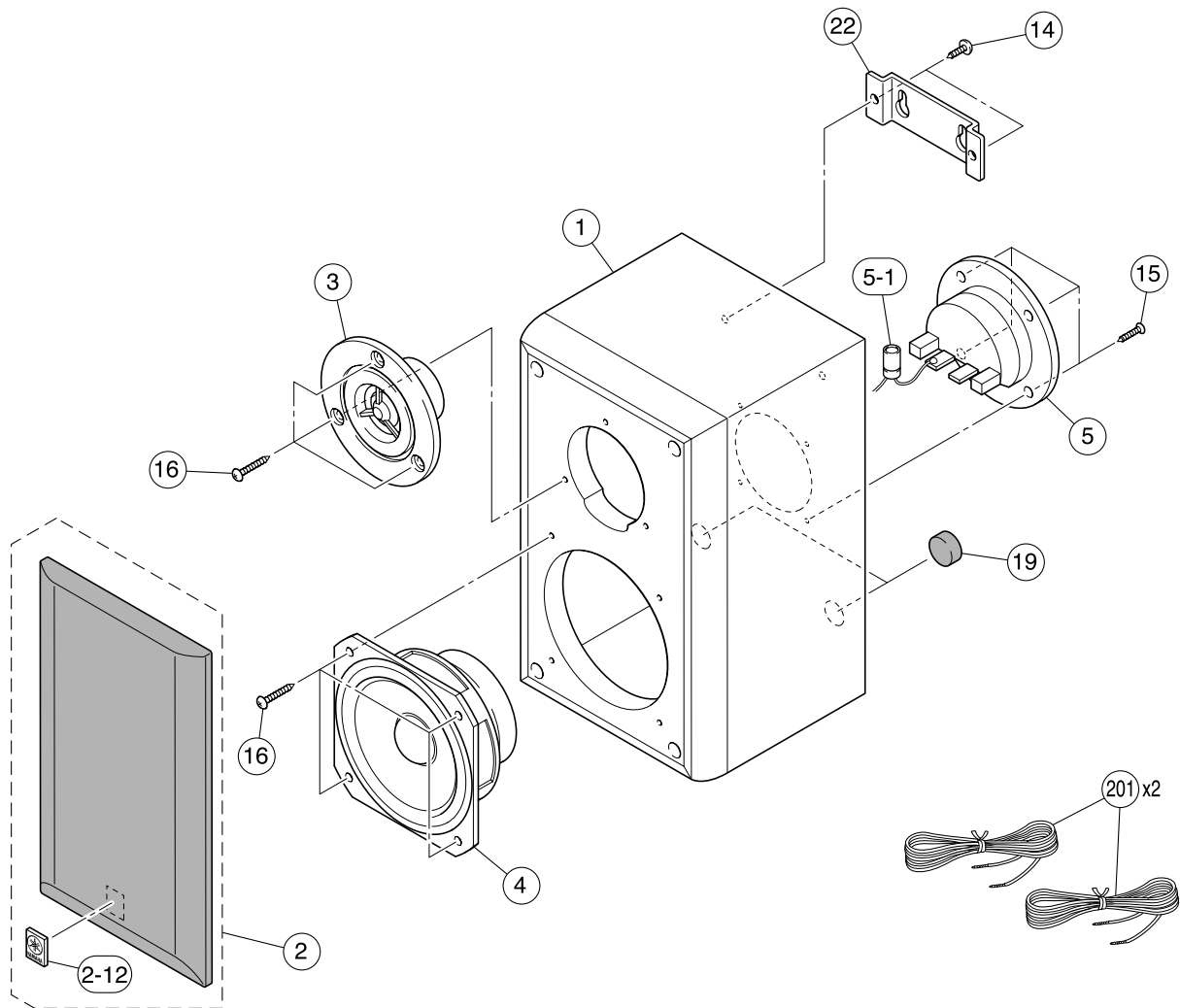
■ NS-E8900 REPLACEMENT PARTS LIST

2

3

4

5



6

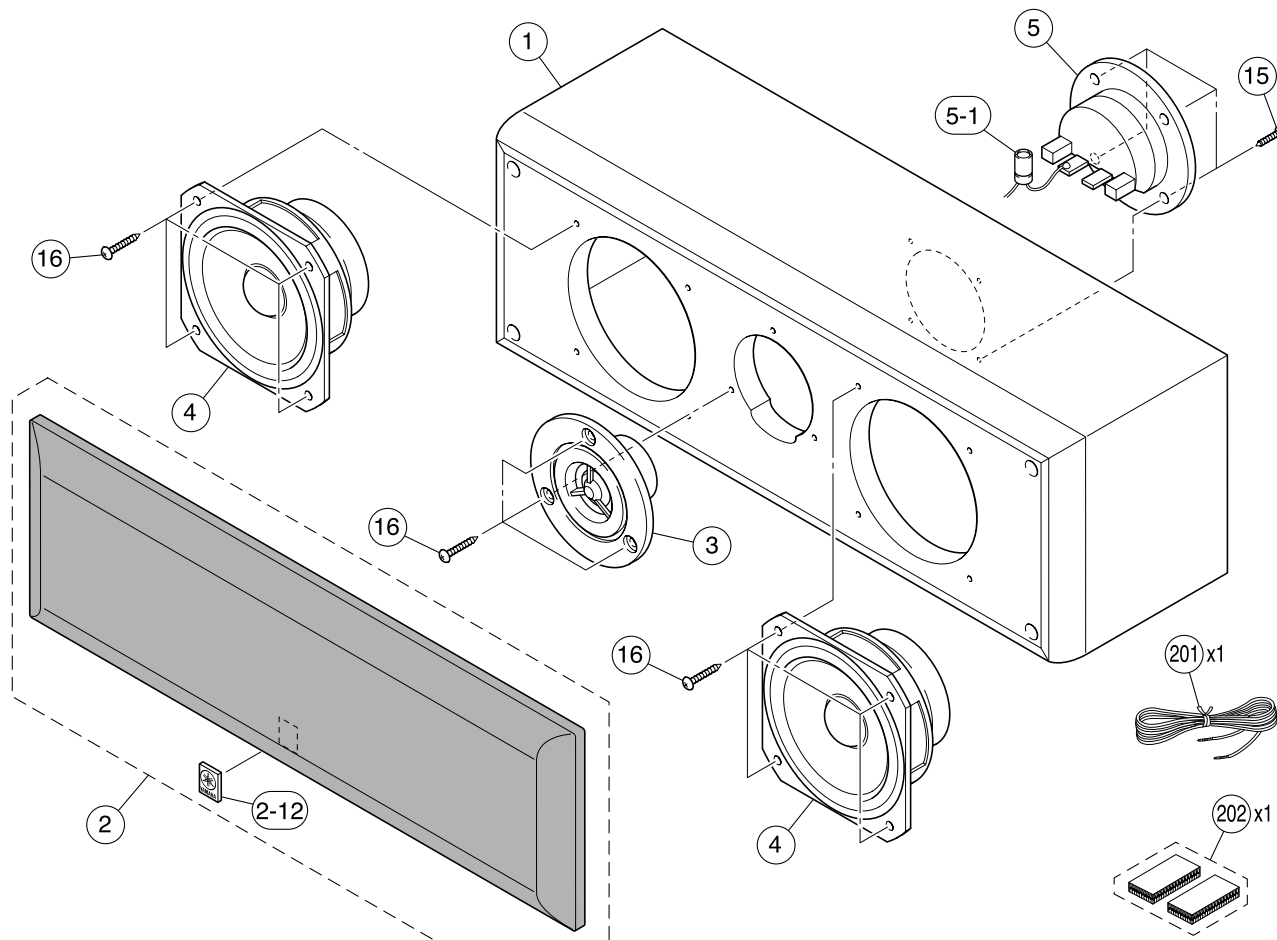
7

Ref. No.	Part No.	Description	Remarks	Markets
* 1	AAX77700	CABINET ASS'Y	NS-E8900WN	ANK508900-BY06
* 1	AAX77710	CABINET ASS'Y	NS-E8900CH	ANK508900-BY07
* 2	AAX77660	FRONT GRILLE ASS'Y	NS-E8900	ANK508900-BY02
* 2-12	AAX77430	EMBLEM		BPL500143-0002
* 3	X7306A00	DRIVER TWEETER	3cm 6Ω	FS1541510-1600
* 4	X7309A00	DRIVER WOOFER	8cm 6Ω	FSA522035-3600
* 5	AAX77510	NETWORK ASS'Y	NS-E8900	WPC08900U-0001
5-1	UU296100	ELECTROLYTIC CAPACITOR	1uF 100V	
* 14	AAX77470	TRUSS HEAD TAPPING SCREW	4x10 BL	NSF570113-8100
* 15	AAX77570	FLAT HEAD TAPPING SCREW	3x15 BL	NSF575021-8130
* 16	AAX77480	PAN HEAD TAPPING SCREW	4x18 BL	NSP575051-8180
* 19	AAX77420	INSULATOR	M15 t=5.0	IVE500031-0001
* 22	AAX77540	BRACKET		DCA520001-0001
* 201	AAX77460	ACCESSORY SPEAKER CABLE	10m 1pc	VWS332255-A000

* New Parts

NS-P8900

■ NS-C8900 REPLACEMENT PARTS LIST



Ref. No.	Part No.	Description	Remarks	Markets	
*	1	AAX77680	CABINET ASS'Y	NS-C8900WN	ANK508900-BY04
*	1	AAX77690	CABINET ASS'Y	NS-C8900CH	ANK508900-BY05
*	2	AAX77650	FRONT GRILLE ASS'Y	NS-C8900	ANK508900-BY01
*	2-12	AAX77430	EMBLEM		BPL500143-0002
*	3	X7306A00	DRIVER TWEETER	3cm 6Ω	FS1541510-1600
*	4	X7308A00	DRIVER WOOFER	8cm 12Ω	FSA522035-3C01
*	5	AAX77490	NETWORK ASS'Y	NS-C8900	WPC08900C-0001
*	5-1	UU296100	ELECTROLYTIC CAPACITOR	1uF 100V	
*	15	AAX77570	FLAT HEAD TAPPING SCREW	3x15 BL	NSF575021-8130
*	16	AAX77480	PAN HEAD TAPPING SCREW	4x18 BL	NSP575051-8180
*	201	AAX77450	ACCESSORY SPEAKER CABLE	4m 1pc	VWS332255-4000
	202	V7852100	FASTENER	40x25 2pairs/set	

* New Parts